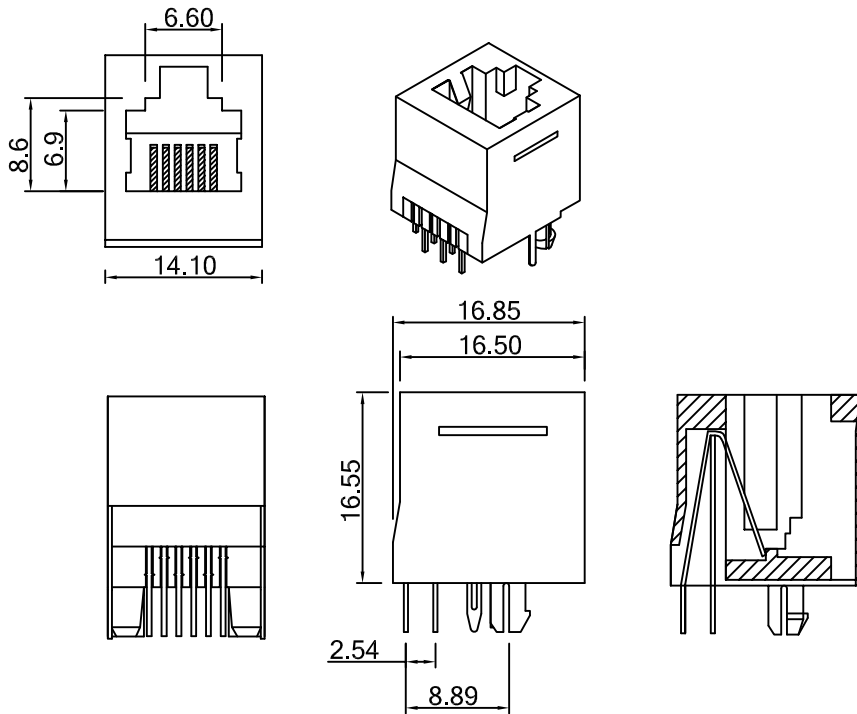


Part Number: S260 6P



MATERIAL & FINISH

Housing & Insert: PBT. UL94V-0 , black
 Conductor: 0.35 × 0.42mm thickness phosphor bronze
 Plating: Gold plated over nickel on contact area,
 Tin plated over nickel on soldering area.
 Shield: Brass with nickel plated.
 Temperature: -40°C to 85°C
 Durability: 750 cycles min.

ORDERING INFORMATION

S 260 **a** **b** **c** **d** **e**

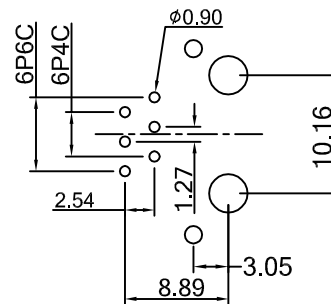
Panelstop
(E or N)

Position
(6P)

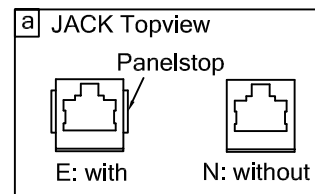
Contact
(2C,4C or 6C)

Housing Color
(BK) black

Gold Plating
(6,15,30 or 50)μ"



PCB LAYOUT / TOP VIEW



UNIT: m / m
 TOL.: +/- 0.15



巨亮企業有限公司
 CHU LIANG ENTERPRISE CO.,LTD.
 TEL:886-2-22023997 FAX:886-2-22023867

E-mail: richard@plug.com.tw
 peter@plug.com.tw
 Web: http://www.plug.com.tw